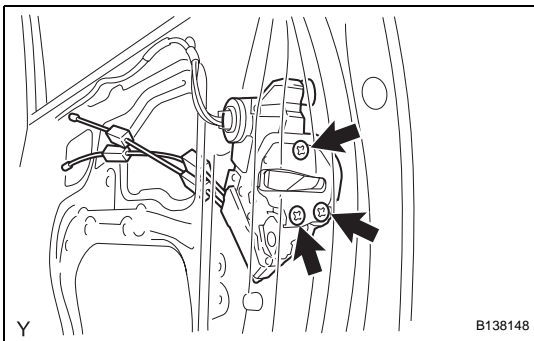


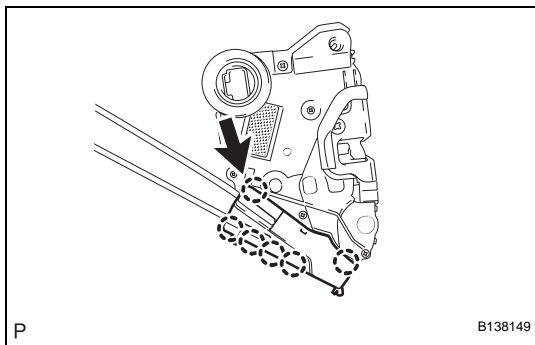
REMOVAL

HINT:

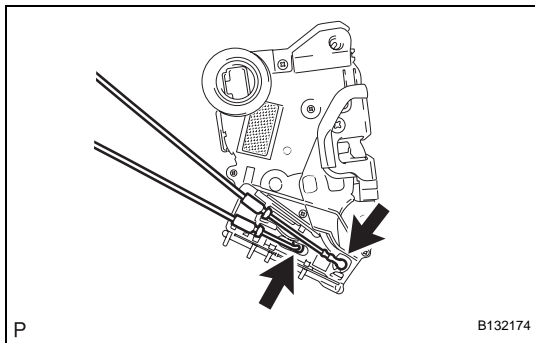
- Use the same procedure for both the RH and LH sides.
- The procedure described below is for the RH side.

1. **DISCONNECT CABLE FROM NEGATIVE BATTERY TERMINAL**
2. **REMOVE FRONT ARMREST BASE UPPER PANEL**
(See page [ED-9](#))
3. **REMOVE FRONT DOOR TRIM BOARD SUB-ASSEMBLY** (See page [ED-9](#))
4. **REMOVE FRONT NO. 2 DOOR SERVICE HOLE COVER** (See page [ED-10](#))
5. **REMOVE OUTER REAR VIEW MIRROR** (See page [MI-8](#))
6. **REMOVE FRONT DOOR GLASS OUTER WEATHERSTRIP ASSEMBLY** (See page [ET-39](#))
7. **REMOVE FRONT NO. 1 SPEAKER** (See page [AV-58](#))
8. **REMOVE FRONT DOOR SERVICE HOLE COVER**
(See page [ED-11](#))
9. **REMOVE FRONT DOOR INSIDE PANEL PLATE** (See page [ED-11](#))
10. **REMOVE FRONT DOOR CHECK ASSEMBLY** (See page [ED-11](#))
11. **REMOVE FRONT DOOR WEATHERSTRIP** (See page [ED-11](#))
12. **REMOVE FRONT DOOR GLASS RUN** (See page [ED-12](#))
13. **REMOVE FRONT DOOR FRAME SUB-ASSEMBLY FRONT LOWER** (See page [ED-12](#))
14. **REMOVE FRONT DOOR LOWER FRAME BRACKET GARNISH** (See page [ED-12](#))
15. **REMOVE FRONT DOOR WINDOW FRAME REAR LOWER** (See page [ED-12](#))
16. **REMOVE FRONT DOOR GLASS SUB-ASSEMBLY**
(See page [ED-13](#))
17. **REMOVE FRONT DOOR LOCK**
 - (a) Using "Torx" socket wrench T30, loosen the 3 screws.
 - (b) Move the front door lock downward, remove the outside handle frame link and remove the front door lock.



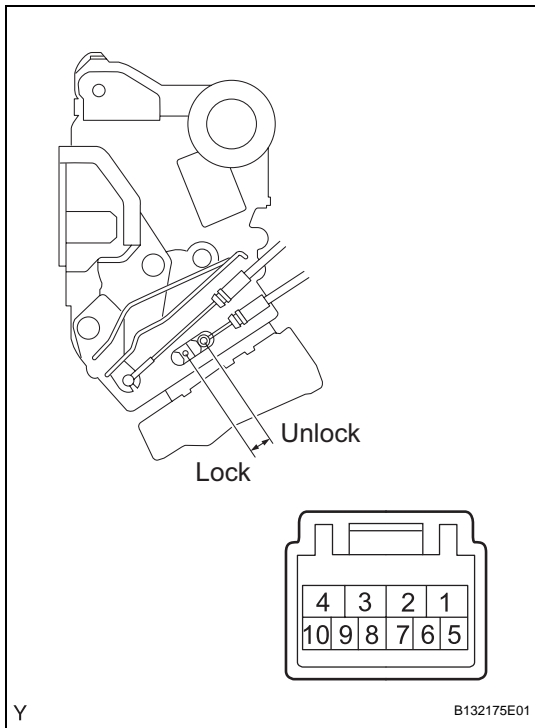


(c) Disengage the 5 claws and open the cover.



(d) Disconnect the front door lock remote control cable and the front door inside locking cable.

(e) Remove the door lock wire harness seal.



INSPECTION

1. INSPECT FRONT DOOR LOCK LH

(a) Check the operation.

(1) Apply battery voltage to the front door lock and check the operation of the front door lock motor.

Standard

Measurement Condition	Specified Condition
Battery positive (+) → Terminal 4 Battery negative (-) → Terminal 2	Locks
Battery positive (+) → Terminal 2 Battery negative (-) → Terminal 4	Unlocks

If the result is not as specified, replace the front door lock.

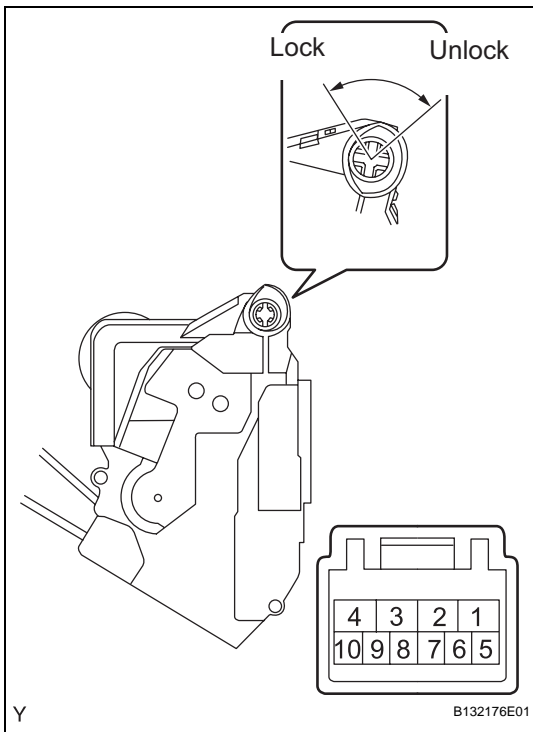
(b) Check the resistance of the unlock detection switch.

(1) Using an ohmmeter, measure the resistance and check the results in accordance with the value(s) in the table below.

Standard Resistance

Tester Connection	Door Lock Condition	Specified Condition
7 - 8	Locked	10 k Ω or higher
7 - 8	Unlocked	Below 1 Ω

If the result is not as specified, replace the front door lock.



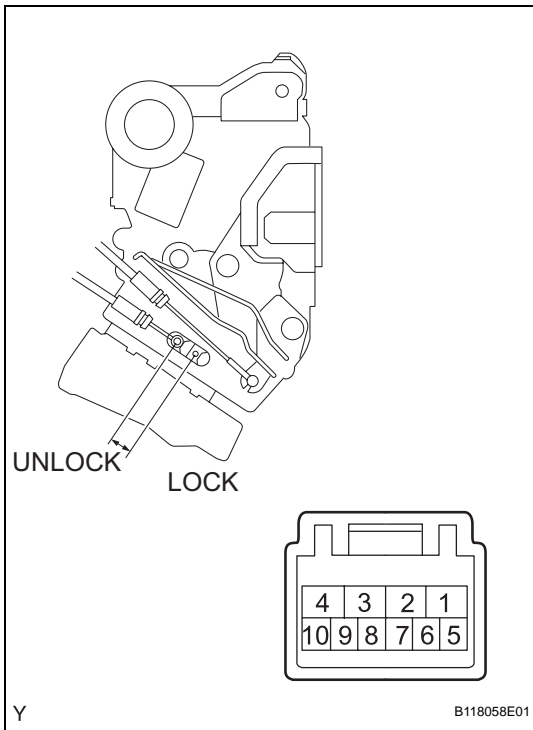
(c) Check the resistance of the door lock and unlock switch.

- (1) Using an ohmmeter, measure the resistance and check the results in accordance with the value(s) in the table below.

Standard Resistance

Tester Connection	Door Lock Condition	Specified Condition
7 - 9	Locked	Below 1 Ω
7 - 9	Unlocked	10 kΩ or higher
7 - 10	Locked	10 kΩ or higher
7 - 10	Unlocked	Below 1 Ω

If the result is not as specified, replace the front door lock.



2. INSPECT FRONT DOOR LOCK RH

(a) Check the operation.

- (1) Apply battery voltage to the front door lock and check the operation of the front door lock motor.

Standard

Measurement Condition	Specified Condition
Battery positive (+) → Terminal 3 Battery negative (-) → Terminal 1	Locks
Battery positive (+) → Terminal 1 Battery negative (-) → Terminal 3	Unlocks

If the result is not as specified, replace the front door lock.

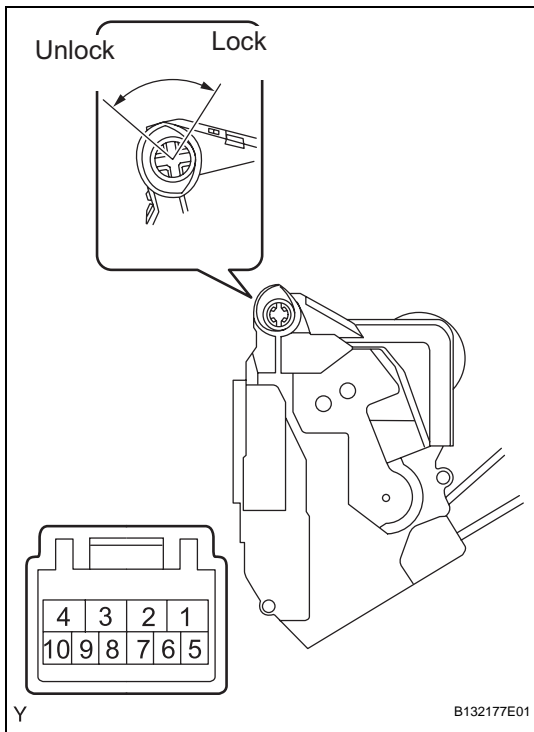
(b) Check the resistance of the unlock detection switch.

- (1) Using an ohmmeter, measure the resistance and check the results in accordance with the value(s) in the table below.

Standard Resistance

Tester Connection	Door Lock Condition	Specified Condition
7 - 8	Locked	10 kΩ or higher
7 - 8	Unlocked	Below 1 Ω

If the result is not as specified, replace the front door lock.



- (c) Check the resistance of door lock and unlock switch.
- (1) Using an ohmmeter, measure the resistance and check the results in accordance with the value(s) in the table below.

Standard Resistance

Tester Connection	Door Lock Condition	Specified Condition
6 - 8	Locked	Below 1 Ω
6 - 8	Unlocked	10 k Ω or higher
5 - 8	Locked	10 k Ω or higher
5 - 8	Unlocked	Below 1 Ω

If the result is not as specified, replace the front door lock.